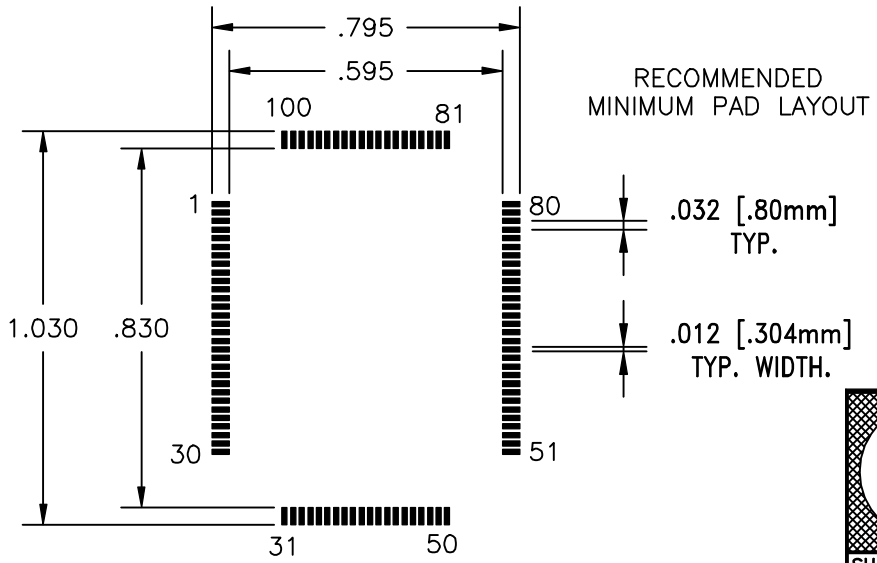
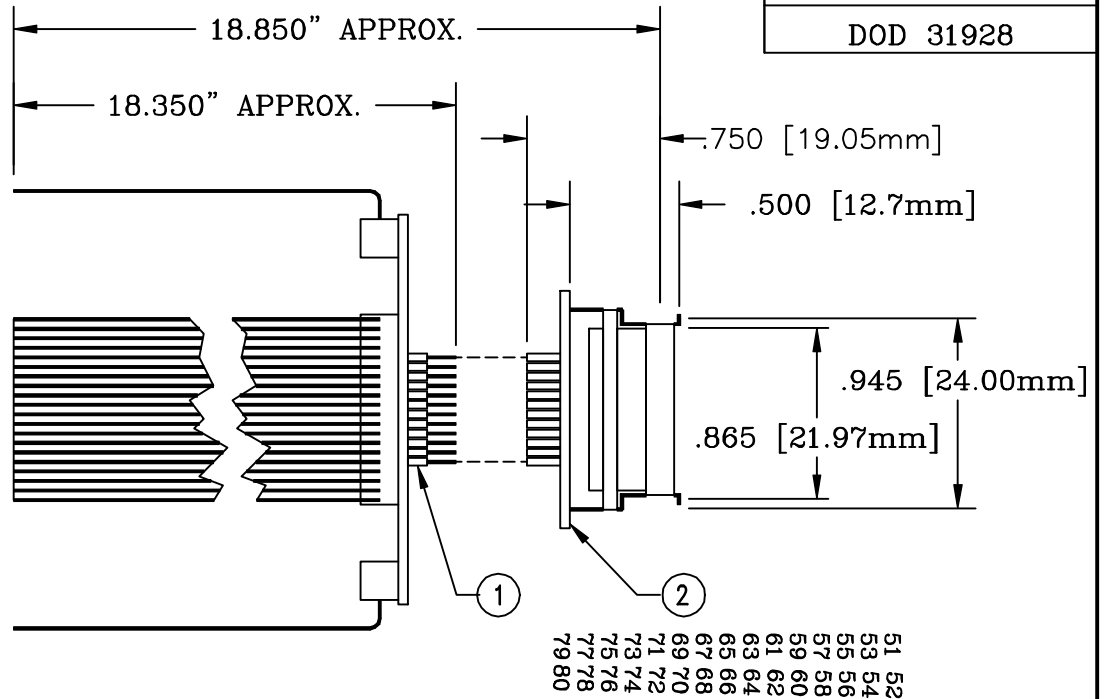
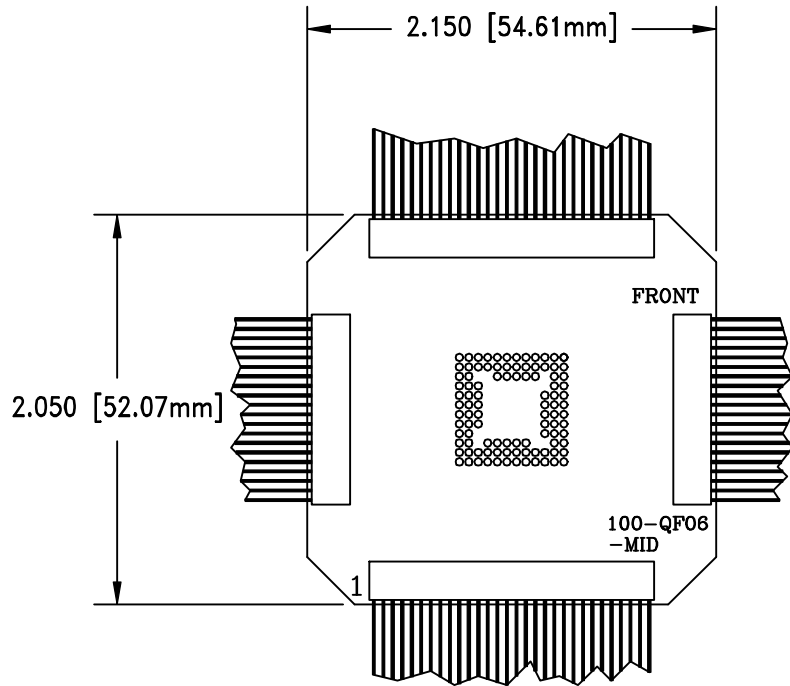


F1928
DOD 31928



81 82	50 49
83 84	48 47
85 86	46 45
87 88	44 43
89 90	42 41
91 92	40 39
93 94	38 37
95 96	36 35
97 98	34 33
99 100	32 31

PIN MAP FOR
TEST POINTS

2	4	6	8	10	12	14	16	18	20	22	24	26	28	30
1	3	5	7	9	11	13	15	17	19	21	23	25	27	29

Emulation Technology, Inc.
— VLSI and SMT ADAPTERS and ACCESSORIES —
2344 Walsh Avenue, Bldg. F
Santa Clara, Ca 95051
TEL:(408)982-0660
FAX:(408)982-0664

NO.	ITEM	DESCRIPTION	QTY.
1	MX-100-QF06-18	TOP SUB ASSEMBLY	1
2	EPP100QF06SM	BOTTOM SUB ASSEMBLY	1

SHEET: 1 OF 1	DATE: 10-30-00	REVISION:	ASSEMBLY DRAWING
CHECKED: PAULA OLSON	DRAWN: MIGUEL DELGADILLO	ITEM: EPP100QF0618	
DO NOT SCALE DRAWING			DESCRIPTION: EPP-100-QF06-18