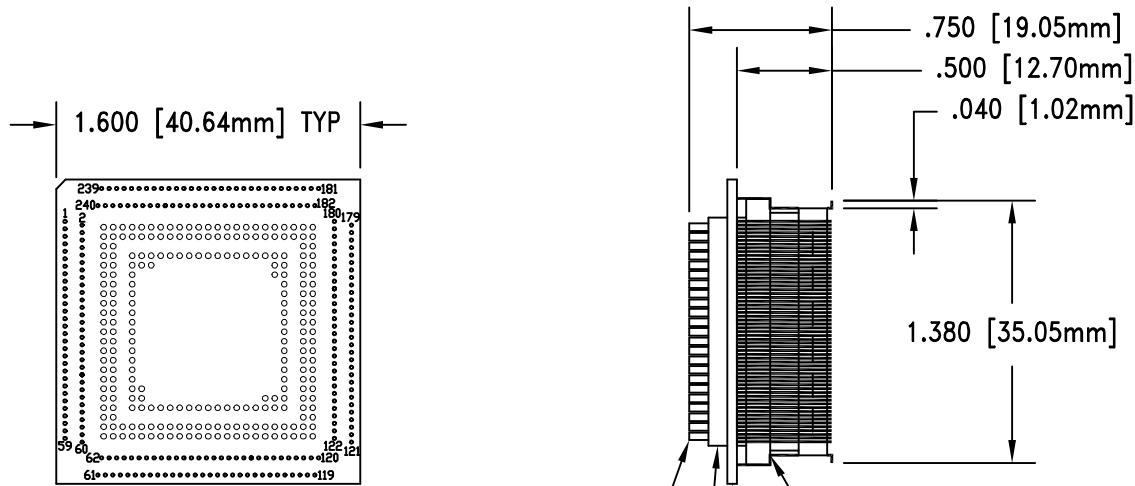
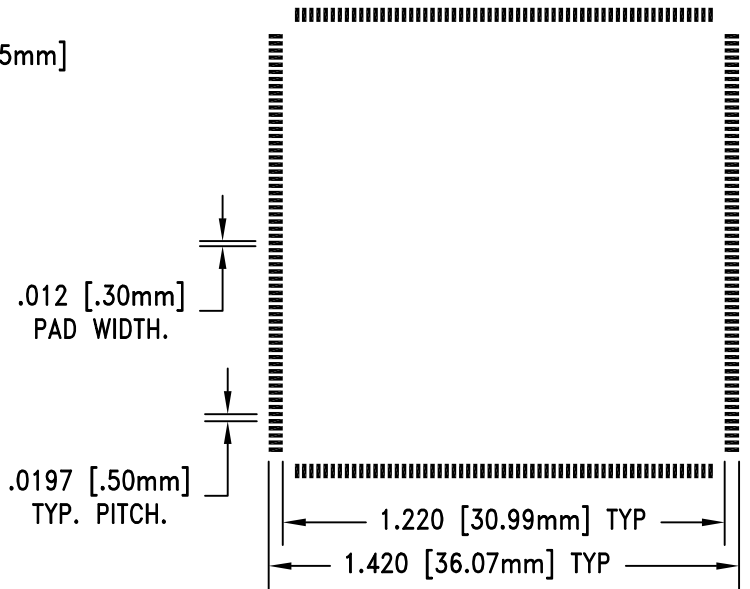


REV	DESCRIPTION	DATE	BY
A	NEW DRAWING	2/26/99	G.M.
B	UPDATED DWG & ADDED PIN MAP	08/26/02	H.N.

F1793
DOD 31793



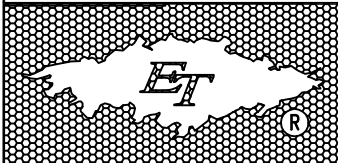
RECOMMENDED
MINIMUM PAD LAYOUT



1	240	238	235	232	229	226	223	220	217	214	211	210	207	204	201	198	195	192	189	186	183	181				
3	2	239	236	233	230	227	224	221	218	215	212	209	206	203	200	197	194	191	188	185	182	180				
6	5																					179	178			
9	8	4	237	231	228	225	222	219	216	213	208	205	202	199	196	193	190	184				176	175			
12	11	10	7	234																		187	177	173	172	
15	14	13																				174	171	170	169	
18	17	16																				168	167	166		
21	20	19																				165	164	163		
24	23	22																				162	161	160		
27	26	25																				159	158	157		
30	29	28																				156	155	154		
31	32	33																				153	152	151		
34	35	36																				148	149	150		
37	38	39																				145	146	147		
40	41	42																				142	143	144		
43	44	45																				139	140	141		
46	47	48																				136	137	138		
49	50	51	54																			133	134	135		
52	53	57	67																			114	127	130	131	132
55	56	64	70	73	76	79	82	85	88	93	96	99	102	105	108	111	117	124				128	129			
58	59																						125	126		
60	62	65	68	71	74	77	80	83	86	89	92	95	98	101	104	107	110	113	116	119	122	123				
61	63	66	69	72	75	78	81	84	87	90	91	94	97	100	103	106	109	112	115	118	120	121				

PIN MAP FOR
EPP-240-QF62

ALL DIMENSIONS ARE IN INCHES UNLESS OTHERWISE SPECIFIED



Emulation Technology, Inc.
— VLSI and SMT ADAPTERS and ACCESSORIES —

2344 Walsh Avenue, Bldg.F Santa Clara, Ca 95051
TEL:(408)982-0660 FAX:(408)982-0664

NO.	ITEM	DESCRIPTION	QTY.
1	240-QF62-S	BASE BOARD	1
2	QF62-SPACER-A	MOUNT ON REAR OF #1	1
3	PINS2	MOUNT ON TOP OF #1	240
4	SPACER-2BG023	PLUG TOP #1 W/#2	1

SHEET: 1 OF 1	DATE: 08/26/02	REVISION: B	ASSEMBLY DRAWING
CHECKED: Perry Munroe	DRAWN: Huy Nguyen	ITEM: EPP240QF62SM	
Scale 1:1	DO NOT SCALE DRAWING	DESCRIPTION: EPP-240-QF62-SM	