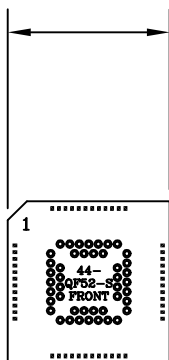


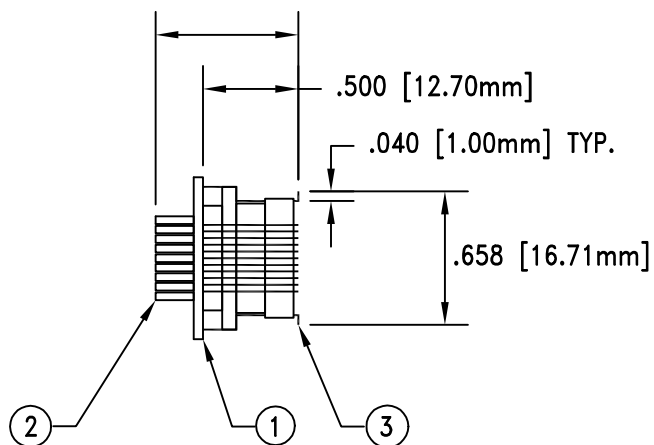
F1643

DOD 31643

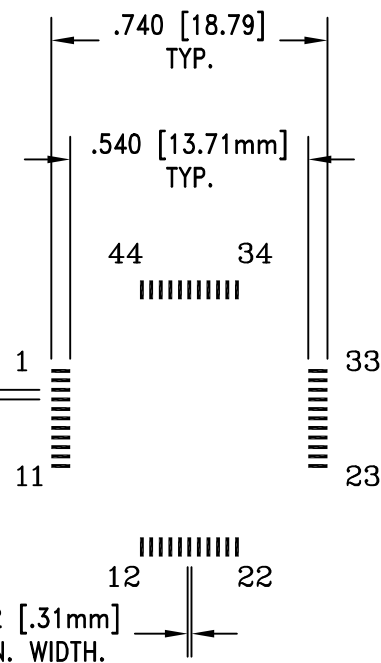
.850 [21.59mm]



.750 [19.05mm]



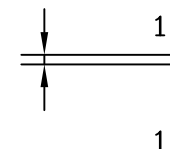
RECOMMENDED
MINIMUM PAD LAYOUT



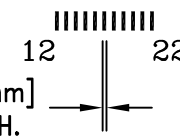
44 43 41 39 37 35 34

1		42 40 38 36	33
2			32
3			31
4	3		30
5			29
6	5		28
7		PIN MAP	27
8	7		26
9			25
10	9		24
11		14 16 18 20	23
		12 13 15 17 19 21 22	

.035 [.89mm]
MIN. PITCH.



.012 [.31mm]
MIN. WIDTH.



Emulation Technology, Inc.

— VLSI and SMT ADAPTERS and ACCESSORIES —

2344 Walsh Avenue, Bldg. F
Santa Clara, Ca 95051

TEL: (408) 982-0660
FAX: (408) 982-0664

NO.	ITEM	DESCRIPTION	QTY.
1	44-QF52-S	BASE BOARD	1
2	PINS2	MOUNT ON TOP OF #1	44
3	QF52-SPACER-A	MOUNT ON REAR OF #1	1

SHEET: 1 OF 1	DATE: 10-18-00	REVISION:	ASSEMBLY DRAWING
CHECKED: Paula Olson	DRAWN: Miguel Delgadillo	ITEM: EPP044QF52SM	
DO NOT SCALE DRAWING		DESCRIPTION: EPP-044-QF52-SM	