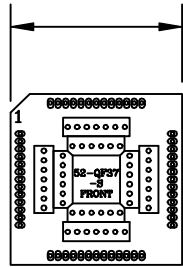
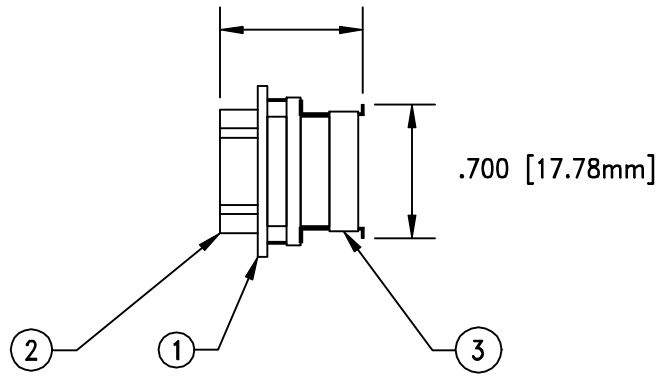


.900 [22.86mm] TYP



.750 [19.05mm]

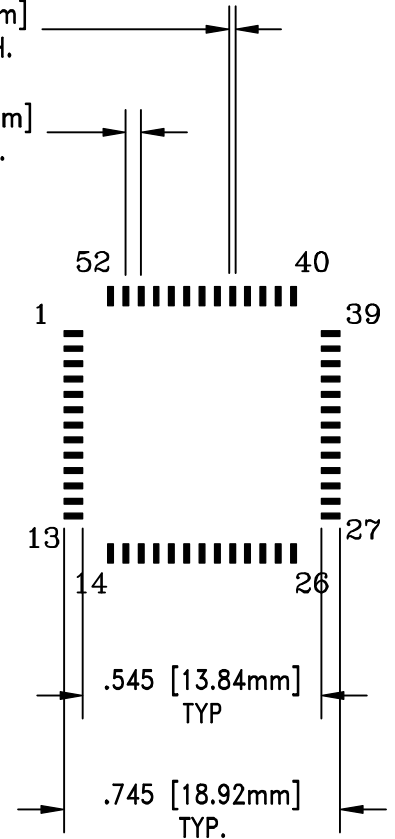


.700 [17.78mm]

RECOMMENDED
MINIMUM PAD LAYOUT

.012 [.31mm]
MIN. WIDTH.

.040 [1.00mm]
TYP PITCH.

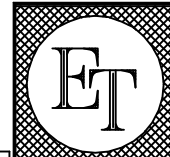
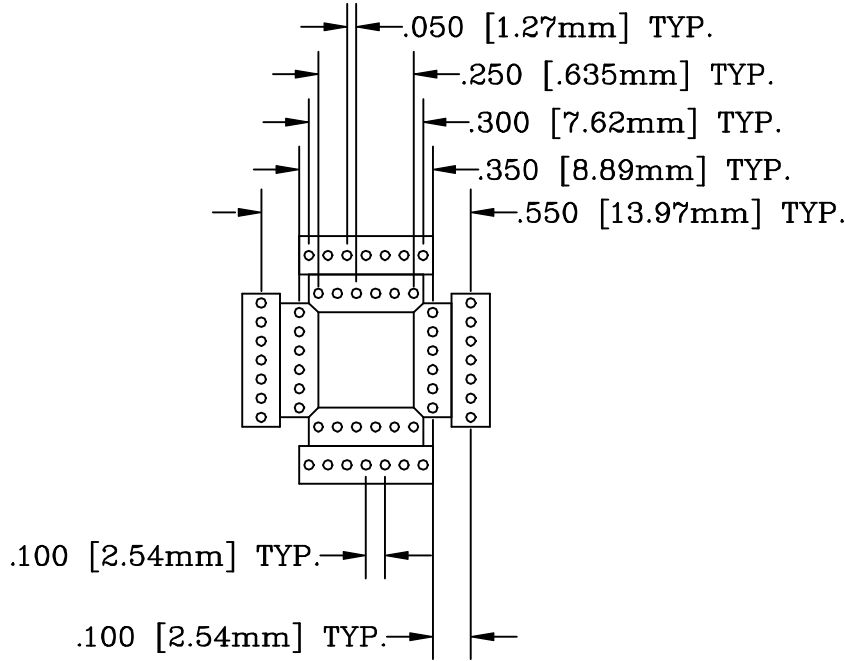


52 50 48 46 44 42 40

51 49 47 45 43 41

1			39
3	2		37
5	4		36
7	6		35
9	8	PIN MAP	34
11	10		33
13	12		32
			31
			30
			29
			28
			27
	15 17 19 21 23 25		

14 16 18 20 22 24 26



Emulation Technology, Inc.
— VLSI and SMT ADAPTERS and ACCESSORIES —

2344 Walsh Avenue, Bldg. F
Santa Clara, Ca 95051

TEL: (408) 982-0660
FAX: (408) 982-0664

NO.	ITEM	DESCRIPTION	QTY.
1	52-QF37-S	BASE BOARD	1
2	T07-FEM-50MIL	MOUNT ON TOP OF #1	8
3	QF37-SPACER-A	MOUNT ON REAR OF #1	1

SHEET: 1 OF 1	DATE: 10-30-00	REVISION:	ASSEMBLY DRAWING
CHECKED: Paula Olson	DRAWN: Miguel Delgadillo	ITEM: EPP052QF37SM	
DO NOT SCALE DRAWING		DESCRIPTION: EPP-052-QF37-SM	