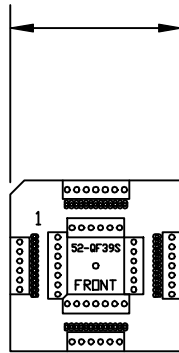


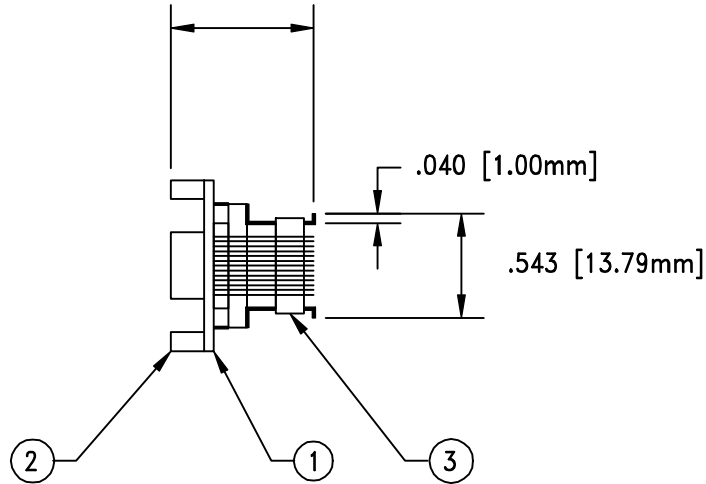
F1632

DOD 31632

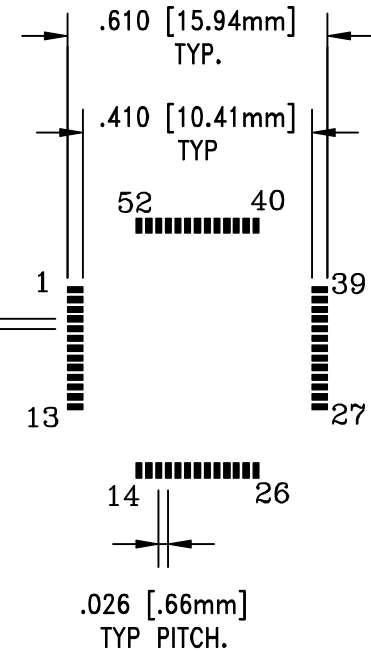
.900 [22.86mm] TYP



.750 [19.05mm] TYP



RECOMMENDED
MINIMUM PAD LAYOUT



40
42
44
46
48
50
52
41
43
45
47
49
51

1
2
3
4
5
6
7
8
9
10
11
12
13

PIN MAP

39
38
37
36
35
34
33
32
31
30
29
28
27

92
91
81
20
22
42
95
51
71
61
12
82
95

.012 [.31mm] MIN.
PAD WIDTH



Emulation Technology, Inc.
— VLSI and SMT ADAPTERS and ACCESSORIES —

2344 Walsh Avenue, Bldg. F
Santa Clara, Ca 95051

TEL:(408)982-0660
FAX:(408)982-0664

NO.	ITEM	DESCRIPTION	QTY.
1	52-QF39S	BASE BOARD	1
2	T07-FEM-50MIL	MOUNT ON FRONT OF #1	8
4	QF39-SPACER-A	SOLDER TO REAR OF #1	1

SHEET: 1 OF 1	DATE: 10-30-00	REVISION:
CHECKED: Paula Olson	DRAWN: Miguel Delgadillo	
DO NOT SCALE DRAWING		

ASSEMBLY DRAWING	
ITEM:	EPP052QF39SM
DESCRIPTION:	EPP-052-QF39-SM