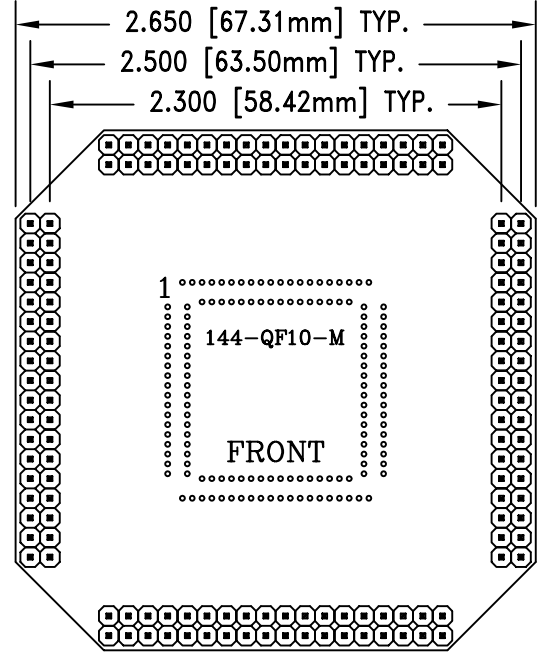


REV	DESCRIPTION	DATE	BY
A	NEW DRAWING	2/22/93	S.B.
B	UPDATED DRAWING	12/13/04	H.N.

F1429

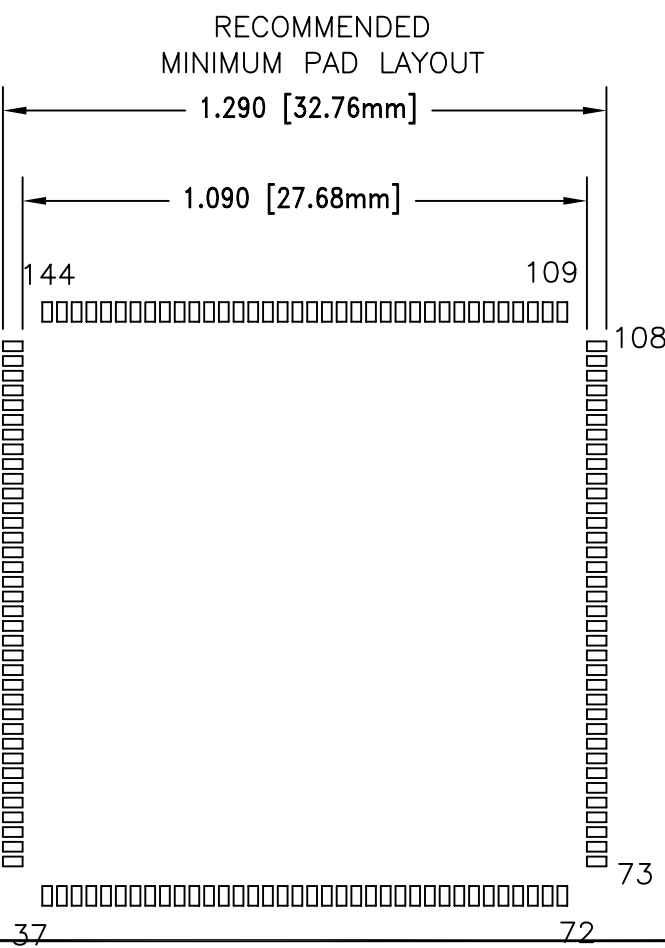
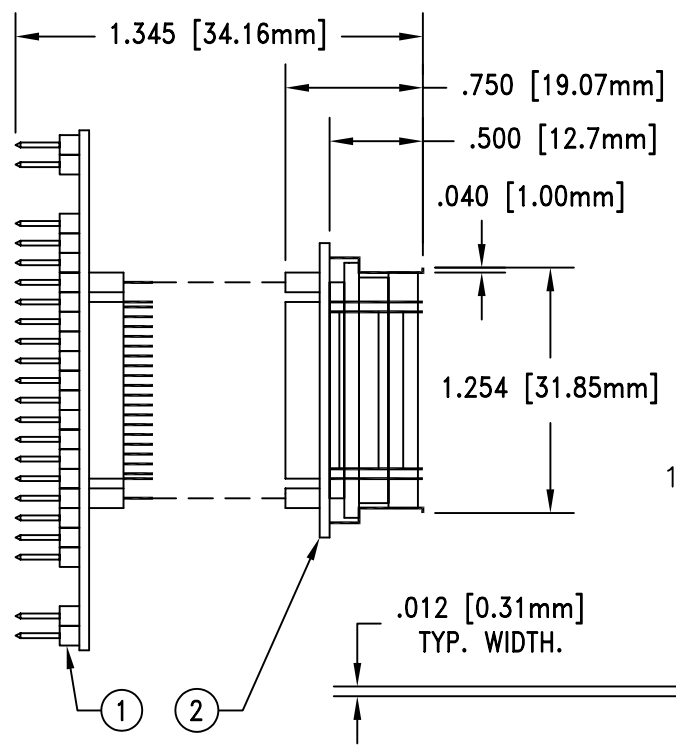


144 142 140 138 136 134 132 130 128 126 124 122 120 118 116 114 112 110  
 143 141 139 137 135 133 131 129 127 125 123 121 119 117 115 113 111 109

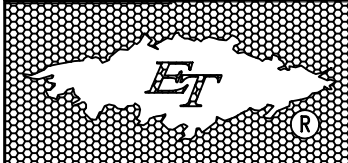
2 1  
 4 3  
 6 5  
 8 7  
 10 9  
 12 11  
 14 13  
 16 15  
 18 17  
 20 19  
 22 21  
 24 23  
 26 25  
 28 27  
 30 29  
 32 31  
 34 33  
 36 35

107 108  
 105 106  
 103 104  
 101 102  
 99 100  
 97 98  
 95 96  
 93 94  
 91 92  
 89 90  
 87 88  
 85 86  
 83 84  
 81 82  
 79 80  
 77 78  
 75 76  
 73 74

37 39 41 43 45 47 49 51 53 55 57 59 61 63 65 67 69 71  
 38 40 42 44 46 48 50 52 54 56 58 60 62 64 66 68 70 72



ALL DIMENSIONS ARE IN INCHES UNLESS OTHERWISE SPECIFIED



**Emulation Technology, Inc.**  
 — VLSI and SMT ADAPTERS and ACCESSORIES —  
 2344 Walsh Avenue, Bldg.F Santa Clara, Ca 95051  
 TEL:(408)982-0660 FAX:(408)982-0664

SHEET: 1 OF 1	DATE: 12/13/04	REVISION: B	<b>ASSEMBLY DRAWING</b>
CHECKED: Perry Munroe	DRAWN: Huy Nguyen	ITEM: EPP144QF10W	
Scale 1:1	DO NOT SCALE DRAWING	DESCRIPTION: EPP-144-QF10-W	

NO.	ITEM	DESCRIPTION	QTY.
1	AX-144-QF10-SUB	TOP SUB ASSEMBLY	1
2	EPP144QF10SM	BOTTOM SUB ASSEMBLY	1