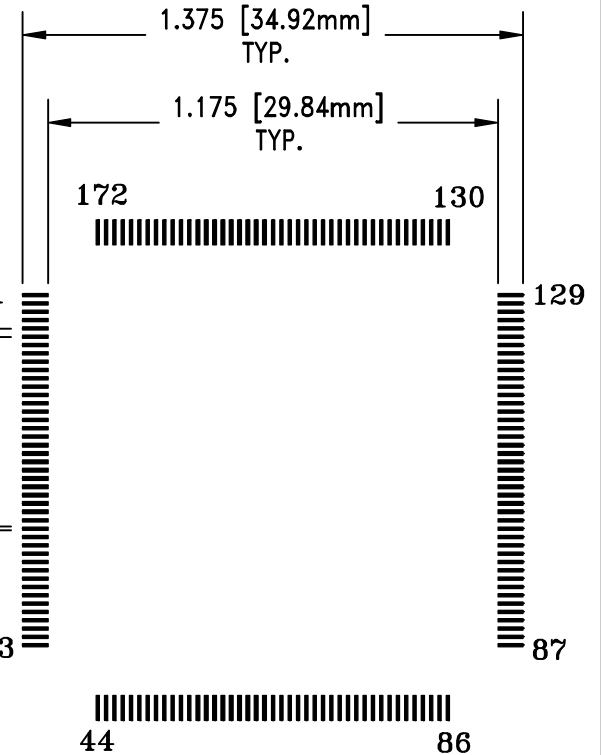
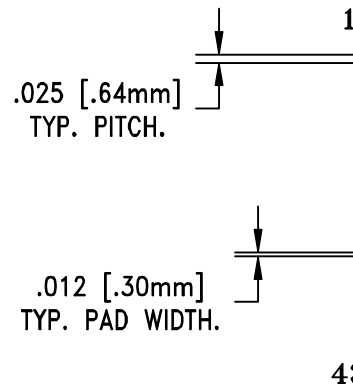


**RECOMMENDED
MINIMUM PAD LAYOUT**



1	172	170	168	165	161	157	153	149	145	141	137	134	132	130	
3	2	171	169	166	162	158	154	150	144	140	136	133	131	129	
5	4	6	167	164	160	156	152	148	146	142	138	135	128	127	
8	7	9	10	163	159	155	151	NC	147	143	139	124	126	125	
12	11	13	14									120	121	123	122
16	15	17	18									116	117	119	118
20	21	19	NC									112	113	115	114
24	25	23	22									108	109	111	110
28	29	27	26									NC	105	107	106
32	33	31	30									104	103	101	102
36	37	35	34									100	99	97	98
39	40	38	53	57	61	NC	65	69	73	77	96	95	93	94	
41	42	49	52	56	60	62	66	70	74	78	81	92	90	91	
43	45	47	50	54	58	64	68	72	76	80	83	85	88	89	
44	46	48	51	55	59	63	67	71	75	79	82	84	86	87	

PIN MAP



NO.	ITEM	DESCRIPTION	QTY.
1	QF12-S	BASE BOARD	1
2	PINS2	MOUNT ON TOP OF #1	177
3	QF12-SPACER-A	SOLDER ON FRONT OF #1	1
4	SPACER-2BG016	MNT TOP OF #1 WITH #7	1

	Emulation Technology, Inc. — VLSI and SMT ADAPTERS and ACCESSORIES —	
	2344 Walsh Avenue, Bldg. F Santa Clara, Ca 95051	TEL:(408)982-0660 FAX:(408)982-0664
SHEET: 1 OF 1 CHECKED: PAULA OLSON	DATE: 10-31-00 NAME: Miguel Delgadillo	REVISION: ASSEMBLY DRAWING
DO NOT SCALE DRAWING		ITEM: EPP172QF12SM DESCRIPTION: EPP-172-QF12-SM