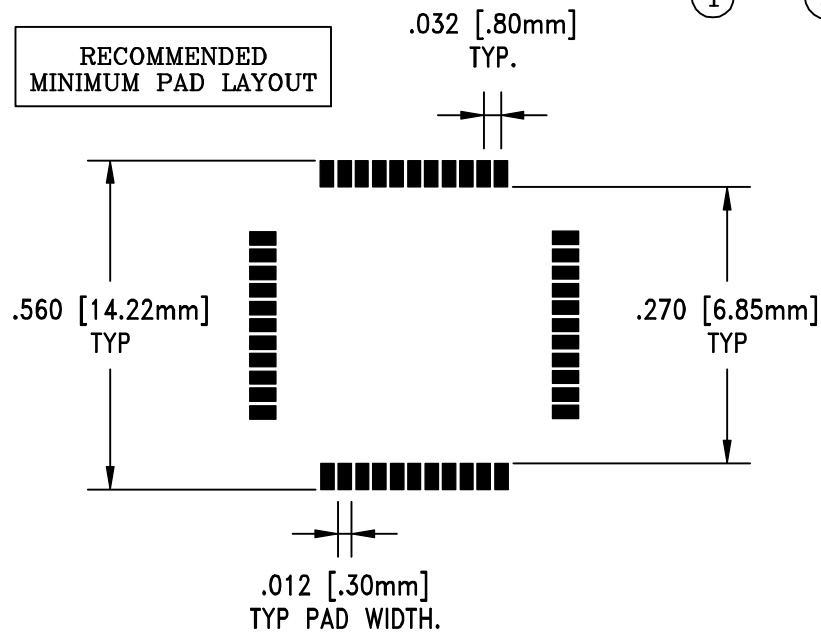


RECOMMENDED
MINIMUM PAD LAYOUT



SCALE: 2:1



Emulation Technology, Inc.

— VLSI and SMT ADAPTERS and ACCESSORIES —

2344 Walsh Avenue, Bldg. F
Santa Clara, Ca 95051

TEL:(408)982-0660
FAX:(408)982-0664

NO.	ITEM	DESCRIPTION	QTY.
1	44-QF16-S	BASE BOARD	1
2	CABLE-50	MOUNT ON FRONT 18"	1
4	QF16-SPACER-A	SOLDER TO REAR OF #1	1

SHEET: 1 OF 1	DATE: 10-30-00	REVISION:	ASSEMBLY DRAWING
CHECKED: PAULA OLSON	DRAWN: MIGUEL DELGADILLO	ITEM: EPP044QF1618	
DO NOT SCALE DRAWING			DESCRIPTION: EPP-044-QF16-18