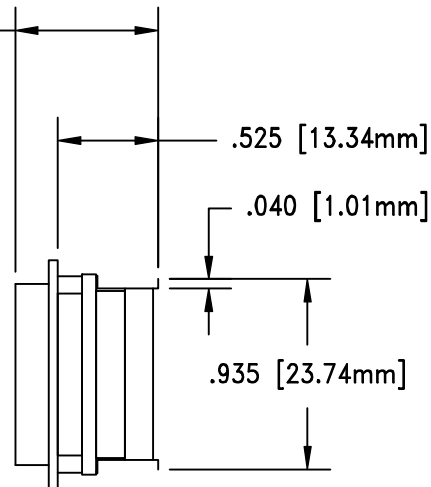
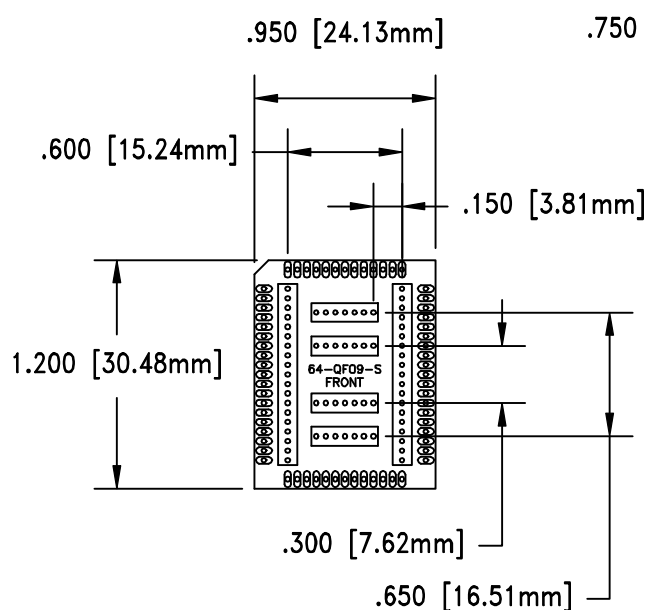
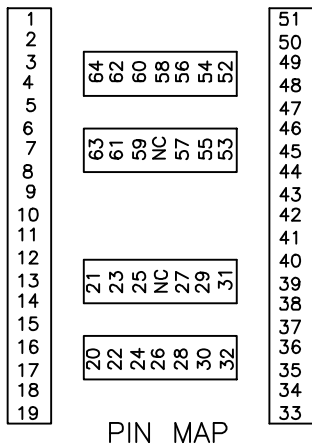
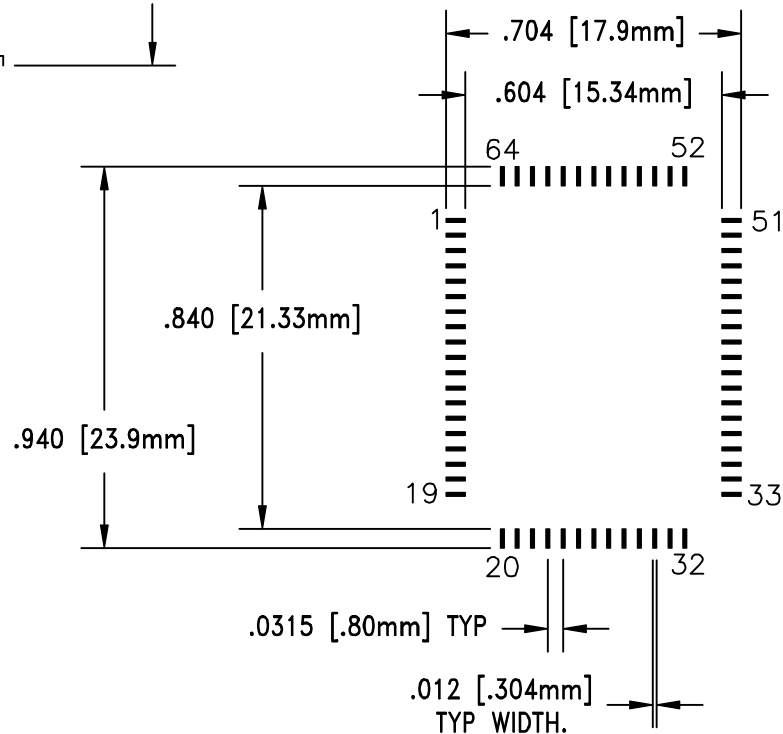


F1286

DOD 31286



RECOMMENDED
MINIMUM PAD LAYOUT



NO.	ITEM	DESCRIPTION	QTY.
1	64-QF09-S	BASE BOARD	1
2	T22-FEM-50MIL	MOUNT ON TOP OF #1	6
3	QF09-SPACER-A	MOUNT ON REAR OF #1	1

Emulation Technology, Inc.
 — VLSI and SMT ADAPTERS and ACCESSORIES —
 2344 Walsh Avenue, Bldg. F Santa Clara, Ca 95051
 TEL:(408)982-0660 FAX:(408)982-0664

SHEET: 1 OF 1	DATE: 10-30-00	REVISION:	ASSEMBLY DRAWING
CHECKED: Paula Olson	DRAWN: Aaron Fine	ITEM: EPP064QF09SM	DESCRIPTION: EPP-064-QF09-SM
DO NOT SCALE DRAWING			