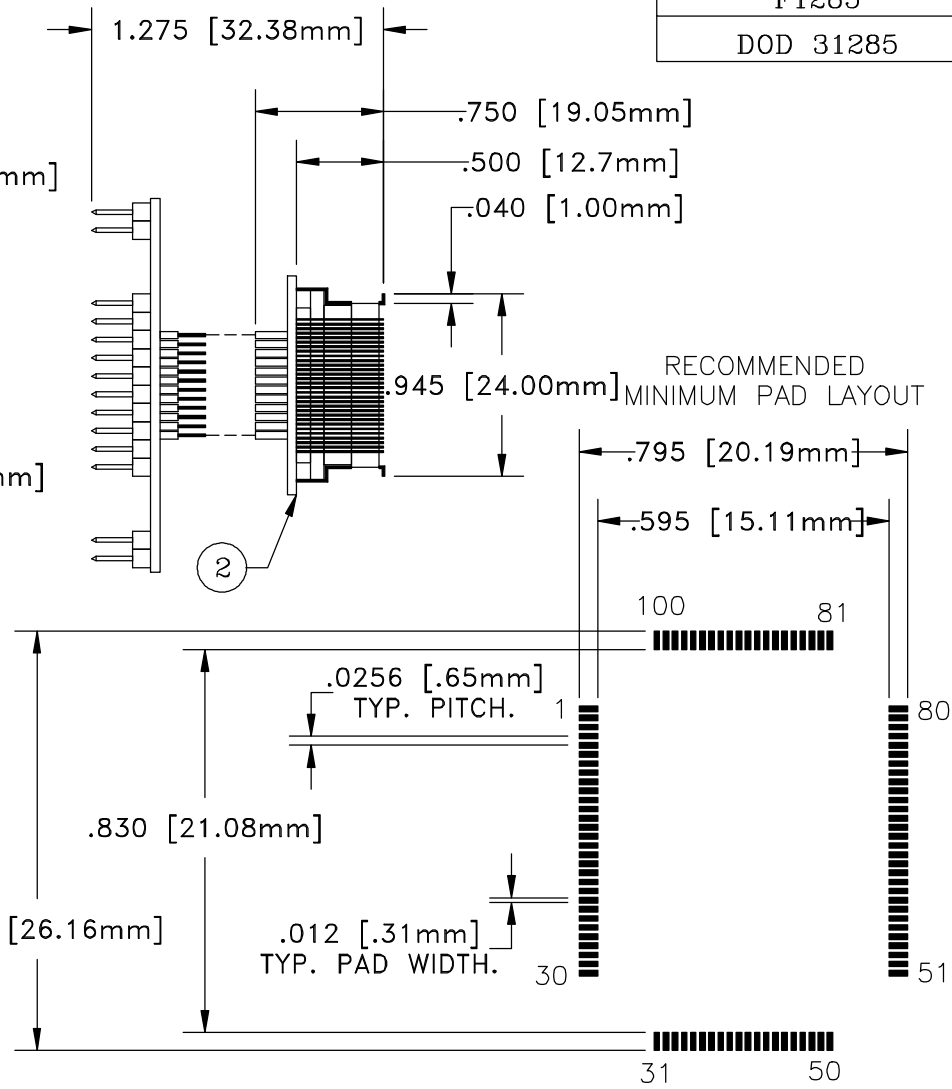
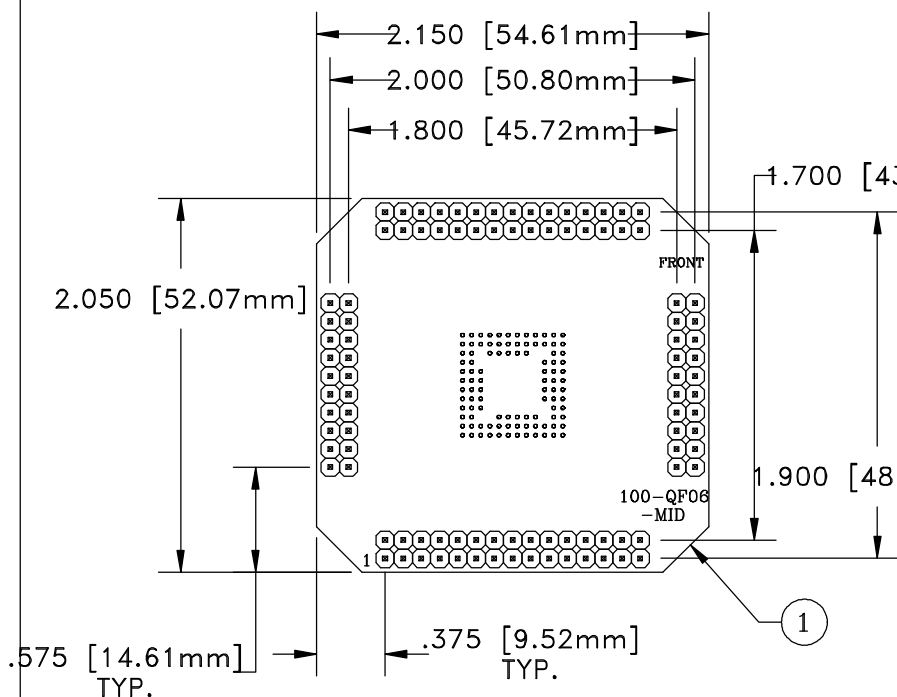


F1285
DOD 31285



79 77 75 73 71 69 67 65 63 61 59 57 55 53 51
80 78 76 74 72 70 68 66 64 62 60 58 56 54 52


81 82
83 84
85 86
87 88
89 90
91 92
93 94
95 96
97 98
99 100

PIN MAP

50 49
48 47
46 45
44 43
42 41
40 39
38 37
36 35
34 33
32 31

2 4 6 8 10 12 14 16 18 20 22 24 26 28 30
1 3 5 7 9 11 13 15 17 19 21 23 25 27 29

NO.	ITEM	DESCRIPTION	QTY.
1	MX-100-QF06-W	TOP SUB ASSEMBLY	1
2	EPP100QF06SM	BOTTOM SUB ASSEMBLY	1

 Emulation Technology, Inc. — VLSI and SMT ADAPTERS and ACCESSORIES —			2344 Walsh Avenue, Bldg. F		TEL:(408)982-0660
			Santa Clara, Ca 95051		FAX:(408)982-0664
SHEET: 1 OF 1	DATE: 11-01-00	REVISION:	ASSEMBLY DRAWING		
CHECKED: Paula Olson	DRAWN: Miguel Delgadillo	ITEM: EPP100QF06W			
DO NOT SCALE DRAWING			DESCRIPTION: EPP-100-QF06-W		