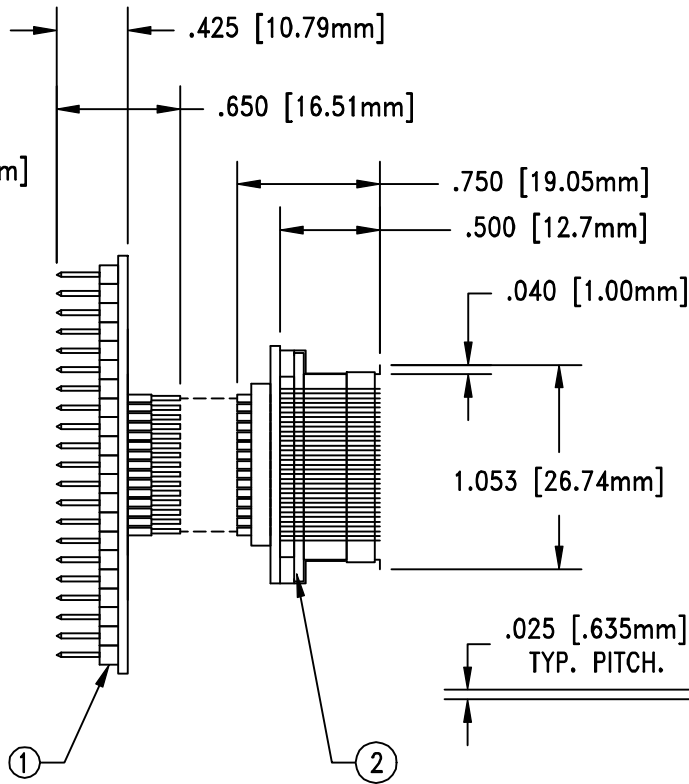
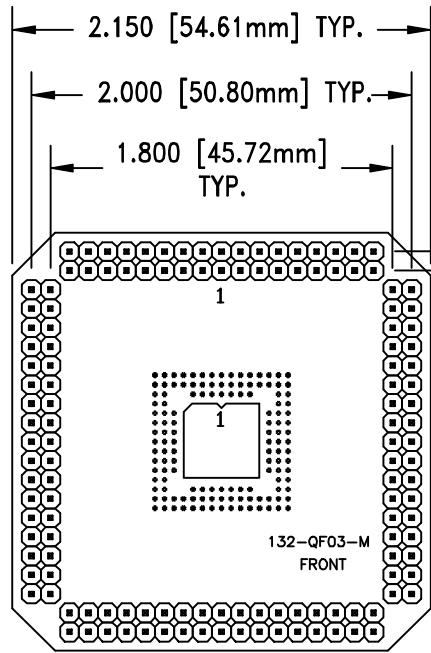
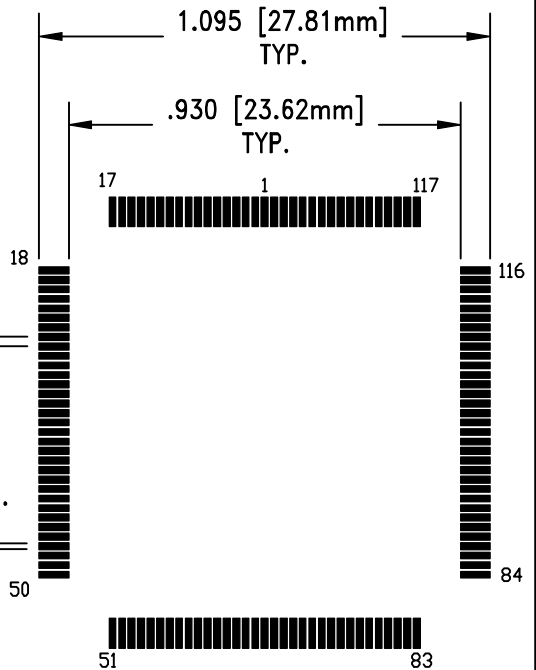


REV	DESCRIPTION	DATE	INIT
A	NEW DRAWING	11-29-01	M.D.
B	CORRECTED EPP132QF03SM DIMS	01-22-02	M.D.

F1228
DOD 31228



MINIMUM PAD LAYOUT REQUIREMENT



PINMAP
(TOP BOARD)

16	132	116	115
14	130	114	113
12	128	112	111
10	126	110	109
8	124	108	107
6	122	106	105
4	120	104	103
2	118	102	101
1	117	100	99
131	98	98	97
129	97	96	95
127	96	94	93
125	95	92	91
123	94	90	89
121	93	88	87
119	92	88	85
117	91	84	NC
115	90		
114	89		
113	88		
111	87		
109	86		
107	85		
105	84		
103	NC		
101			
99			
97			
95			
93			
91			
89			
87			
85			
84			
NC			

ALL DIMENSIONS ARE IN INCHES UNLESS OTHERWISE SPECIFIED

Emulation Technology, Inc.
-VLSI and SMT ADAPTERS and ACCESSORIES-
www.emulation.com

2344 Walsh Ave, Bldg. F Santa Clara, CA 95051

TEL: (408) 982-0660
FAX: (408) 982-0664

SHEET: 1 OF 1	DATE: 11-29-00	REVISION:	ASSEMBLY DRAWING
CHECKED: Paula Olson	DRAWN: Miguel Delgadillo	ITEM: EPP132QF03W	
DO NOT SCALE DRAWING		DESCRIPTION: EPP-132-QF03-W	

NO.	ITEM	DESCRIPTION	QTY.
1	MX-132-QF03-W	TOP SUB ASSEMBLY	1
2	EPP132QF03SM	BOTTOM SUB ASSEMBLY	1