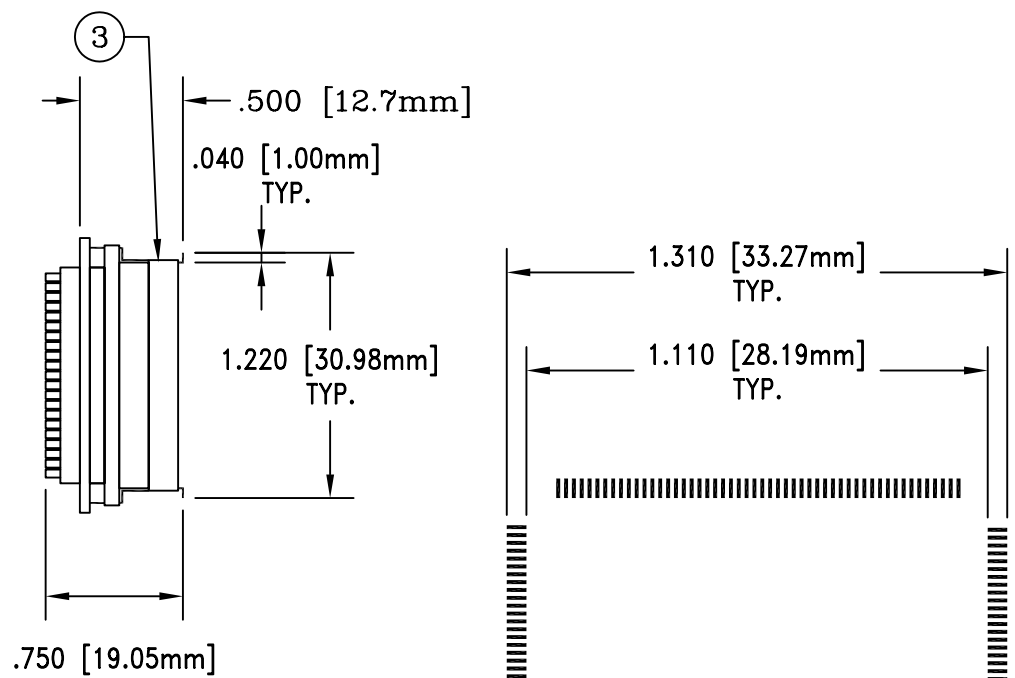
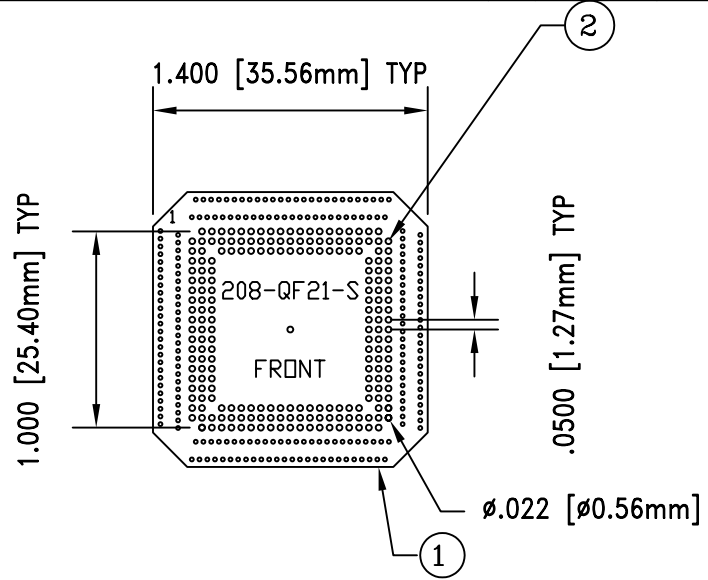


REV	DESCRIPTION	DATE	BY
A	NEW DRAWING	10/30/00	M.D.
B	ADDED DIMS & HOLE DIA	08/13/01	H.N.
C	UPDATED PITCH DIMENSION	05/04/05	H.N.

F1225



- 207 205 202 199 196 193 190 187 184 181 180 177 174 171 168 165 162 159 158
- 2 208 206 203 200 197 194 191 188 185 182 179 176 173 170 167 164 161 157 156 155
- 3 1 204 201 198 195 192 189 186 183 178 175 172 169 166 163 160 154 153
- 6 5 4 152 151 150
- 9 8 7 149 148 147
- 12 11 10 146 145 144
- 15 14 13 143 142 141
- 18 17 16 140 139 138
- 21 20 19 137 136 135
- 24 23 22 134 133 132
- 25 26 27 131 130 129
- 28 29 30 126 127 128
- 31 32 33 123 124 125
- 34 35 36 120 121 122
- 37 38 39 117 118 119
- 40 41 42 114 115 116
- 43 44 45 111 112 113
- 46 47 48 108 109 110
- 49 50 56 59 62 65 68 71 74 79 82 85 88 91 94 97 100 105 107
- 51 52 53 57 60 63 66 69 72 75 78 81 84 87 90 93 96 99 102 104 106
- 54 55 58 61 64 67 70 73 76 77 80 83 86 89 92 95 98 101 103

RECOMMENDED
MINIMUM PAD LAYOUT

ALL DIMENSIONS ARE IN INCHES UNLESS OTHERWISE SPECIFIED

Emulation Technology, Inc.

— VLSI and SMT ADAPTERS and ACCESSORIES —

2344 Walsh Avenue, Bldg. F
Santa Clara, Ca 95051

TEL:(408)982-0660
FAX:(408)982-0664

SHEET: 1 OF 1	DATE: 05/04/05	REVISION: C	ASSEMBLY DRAWING
CHECKED: Perry Munroe		DRAWN: Miguel Delgadillo	
DO NOT SCALE DRAWING			ITEM: EPP208QF21SM
			DESCRIPTION: EPP-208-QF21-SM

NO.	ITEM	DESCRIPTION	QTY.
1	208-QF21-S	BASE BOARD	1
2	PINS2	MOUNT ON FRONT OF #1	208
3	QF21-SPACER-A	MOUNT ON REAR OF #1	1
4	SPACER-2BG021	PLUG TOP #1 W/#2	1