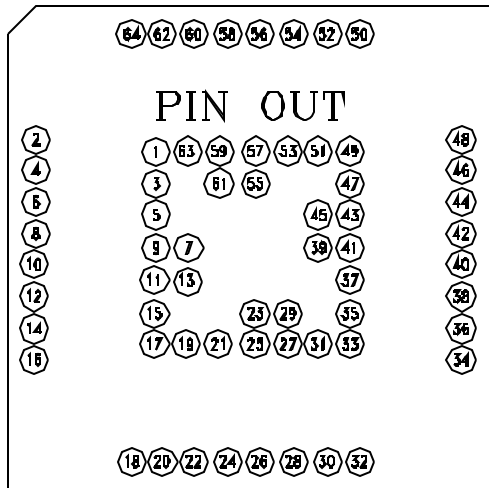
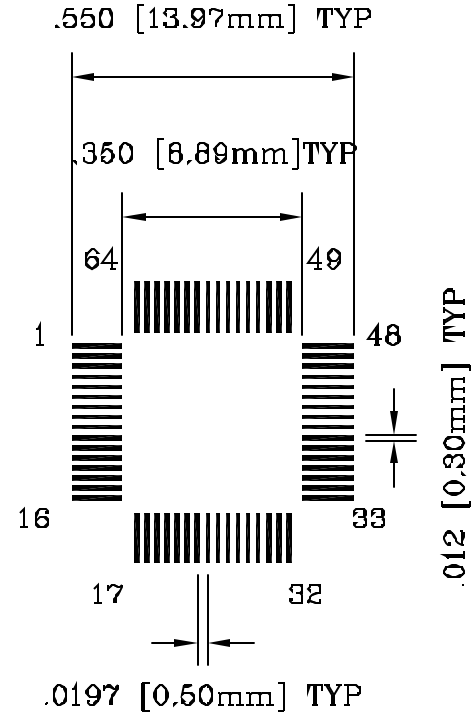
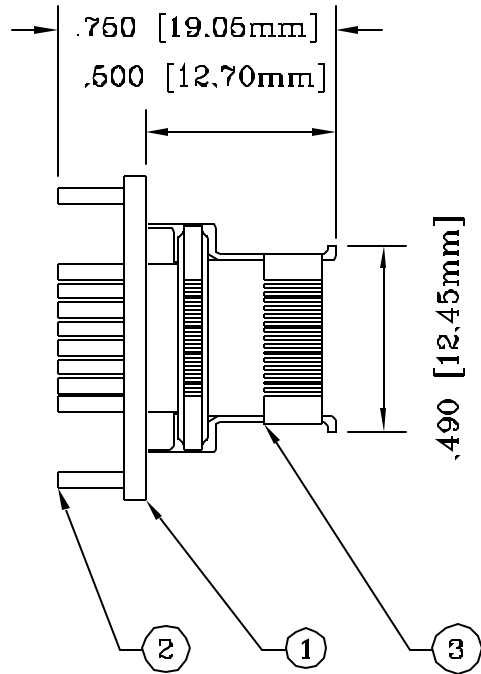
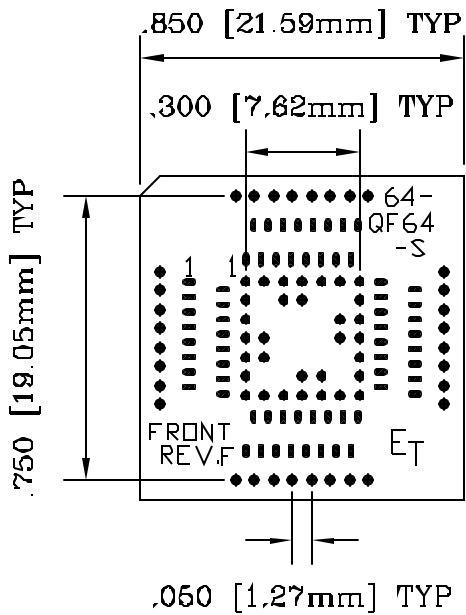


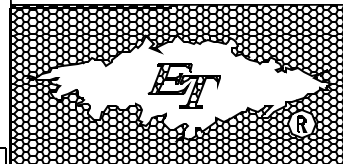
REV	DESCRIPTION	DATE	BY
A	NEW DRAWING	10/16/00	M.D.
B	UPDATED DWG & PIN OUT	06/04/02	H.N.

F1153
DOD 31153



RECOMMENDED MINIMUM
PAD LAYOUT

ALL DIMENSIONS ARE IN INCHES UNLESS OTHERWISE SPECIFIED



Emulation Technology, Inc.

— VLSI and SMT ADAPTERS and ACCESSORIES —

2344 Walsh Avenue, Bldg.F Santa Clara, Ca 95051
TEL:(408)982-0660 FAX:(408)982-0664

NO.	ITEM	DESCRIPTION	QTY.
1	64-QF64-S	BASE BOARD REV.F ONLY	1
2	PINS2	MOUNT ON TOP OF # 1	64
3	QF64-SPACER-A	MOUNT ON REAR OF # 1	1

SHEET: 1 OF 1	DATE: 06/04/02	REVISION: A	ASSEMBLY DRAWING
CHECKED: Perry Munroe	DRAWN: Huy Nguyen	ITEM: EPP064QF64SM	
Scale 1:2	DO NOT SCALE DRAWING	DESCRIPTION: EPP-064-QF64C/D-SM	