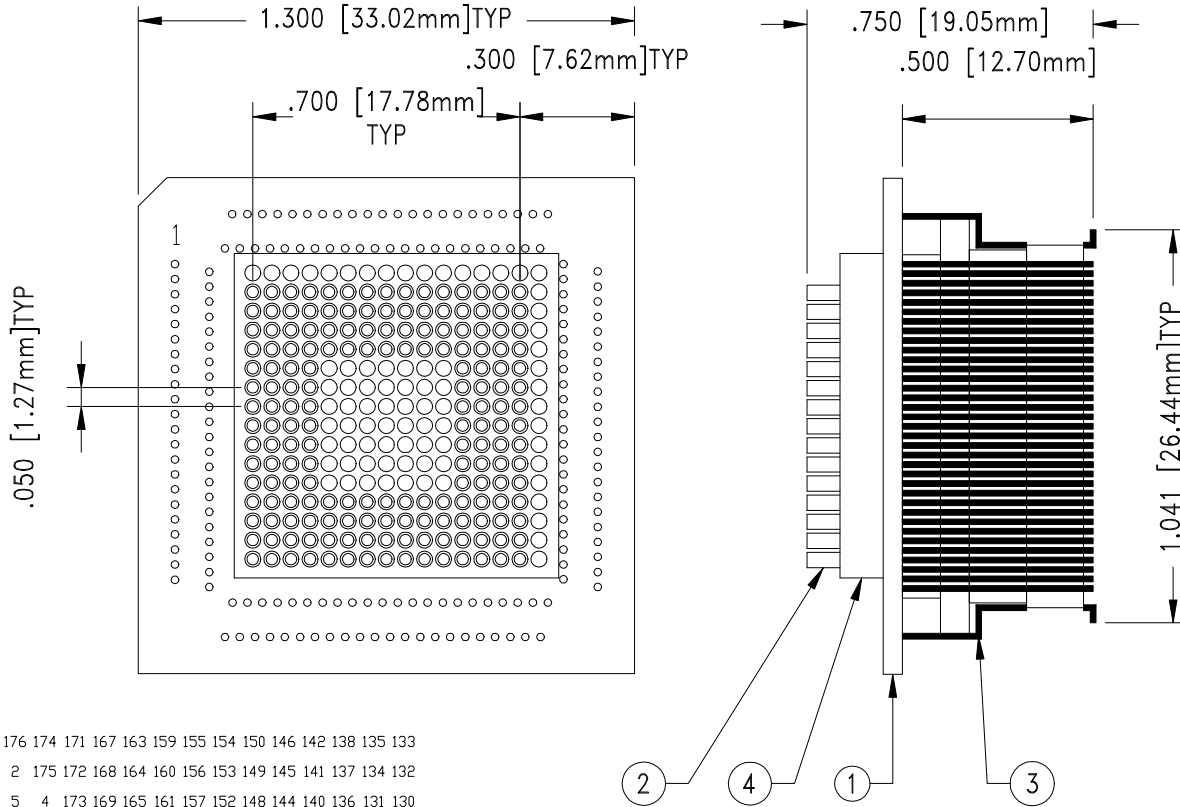


REV	DESCRIPTION	DATE	BY
A	NEW DRAWING	10/31/00	M.D.
B	UPDATED BOM: ADDED SPACER	5/17/01	A.F.

F1109
DOD 31109

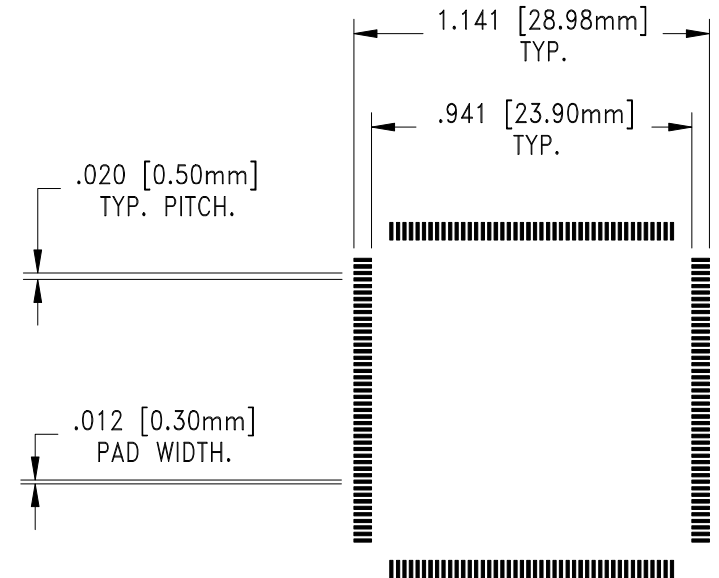


1	176	174	171	167	163	159	155	154	150	146	142	138	135	133
3	2	175	172	168	164	160	156	153	149	145	141	137	134	132
6	5	4	173	169	165	161	157	152	148	144	140	136	131	130
10	9	8	7	170	166	162	158	151	147	143	139	129	128	127
14	13	12	11					126	125	124	123			
18	17	16	15					122	121	120	119			
22	21	20	19					118	117	116	115			
23	24	25	26					114	113	112	111			
27	28	29	30					107	108	109	110			
31	32	33	34					103	104	105	106			
35	36	37	38					99	100	101	102			
39	40	41	51	55	59	63	70	74	78	82	95	96	97	98
42	43	48	52	56	60	64	69	73	77	81	85	92	93	94
44	46	49	53	57	61	65	68	72	76	80	84	87	90	91
45	47	50	54	58	62	66	67	71	75	79	83	86	88	89

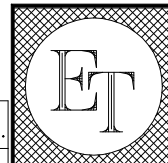
PIN MAP

SCALE 2:1

RECOMMENDED MINIMUM PAD LAYOUT



NO.	ITEM#	DESCRIPTION	QTY.
1	176-QF67-S	BASE BOARD	1
2	PINS2	MOUNT ON FRONT OF #1	176
3	QF67-SPACER-A	MOUNT ON REAR OF #1	1
4	SPACER-2BG016	USE WITH #2	1



Emulation Technology, Inc.
— VLSI and SMT ADAPTERS and ACCESSORIES —

2344 Walsh Avenue, Bldg. F
Santa Clara, Ca 95051

TEL:(408)982-0660
FAX:(408)982-0664

SHEET: 1 OF 1	DATE: 10-31-00	REVISION: B
CHECKED: Paula Olson	DRAWN: Miguel Delgadillo	ITEM: EPP176QF67SM
DO NOT SCALE DRAWING		DESCRIPTION: EPP-176-QF67-SM

ASSEMBLY DRAWING