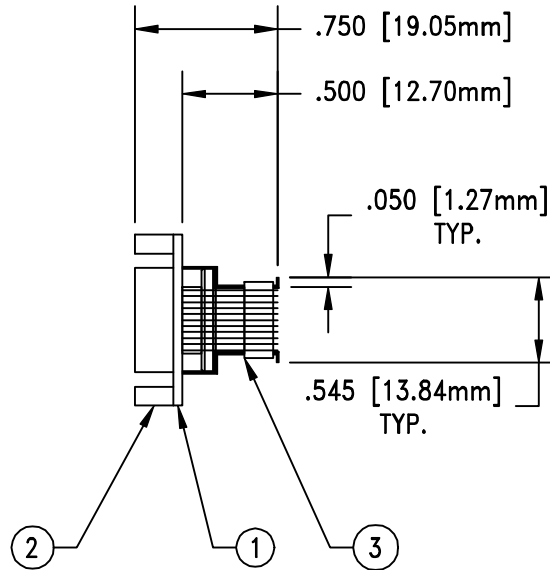
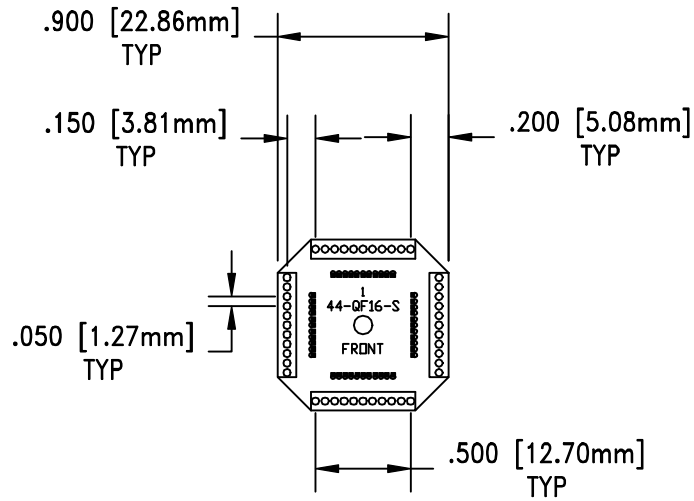
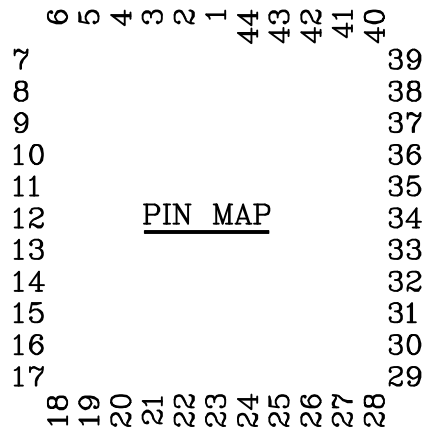
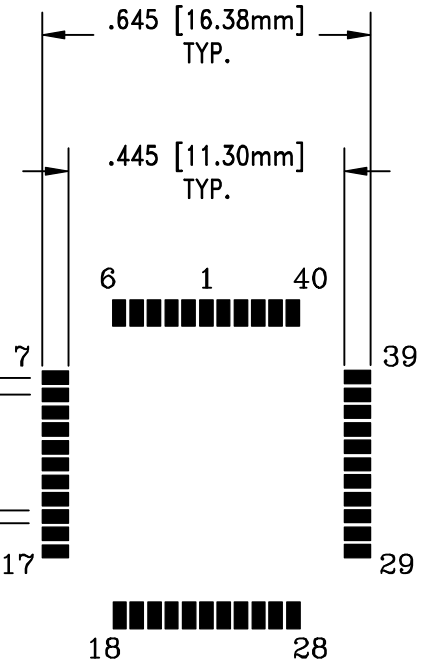


F1067

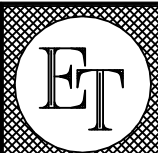
DOD 31067



RECOMMENDED  
MINIMUM PAD LAYOUT



PIN MAP



**Emulation Technology, Inc.**

— VLSI and SMT ADAPTERS and ACCESSORIES —

2344 Walsh Avenue, Bldg. F  
Santa Clara, Ca 95051

TEL:(408)982-0660  
FAX:(408)982-0664

NO.	ITEM#	DESCRIPTION	QTY.
1	44-QF16-S	BASE BOARD	1
2	T11-FEM-50MIL	MOUNT ON FRONT OF #1	4
3	QF16-SPACER-A	SOLDER TO REAR OF #1	1

SHEET: 1 OF 1	DATE: 10-18-00	REVISION:	<b>ASSEMBLY DRAWING</b>
CHECKED: Paula Olson	DRAWN: Miguel Delgadillo	ITEM: EPP044QF16SM	
DO NOT SCALE DRAWING		DESCRIPTION: EPP-044-QF16-SM	