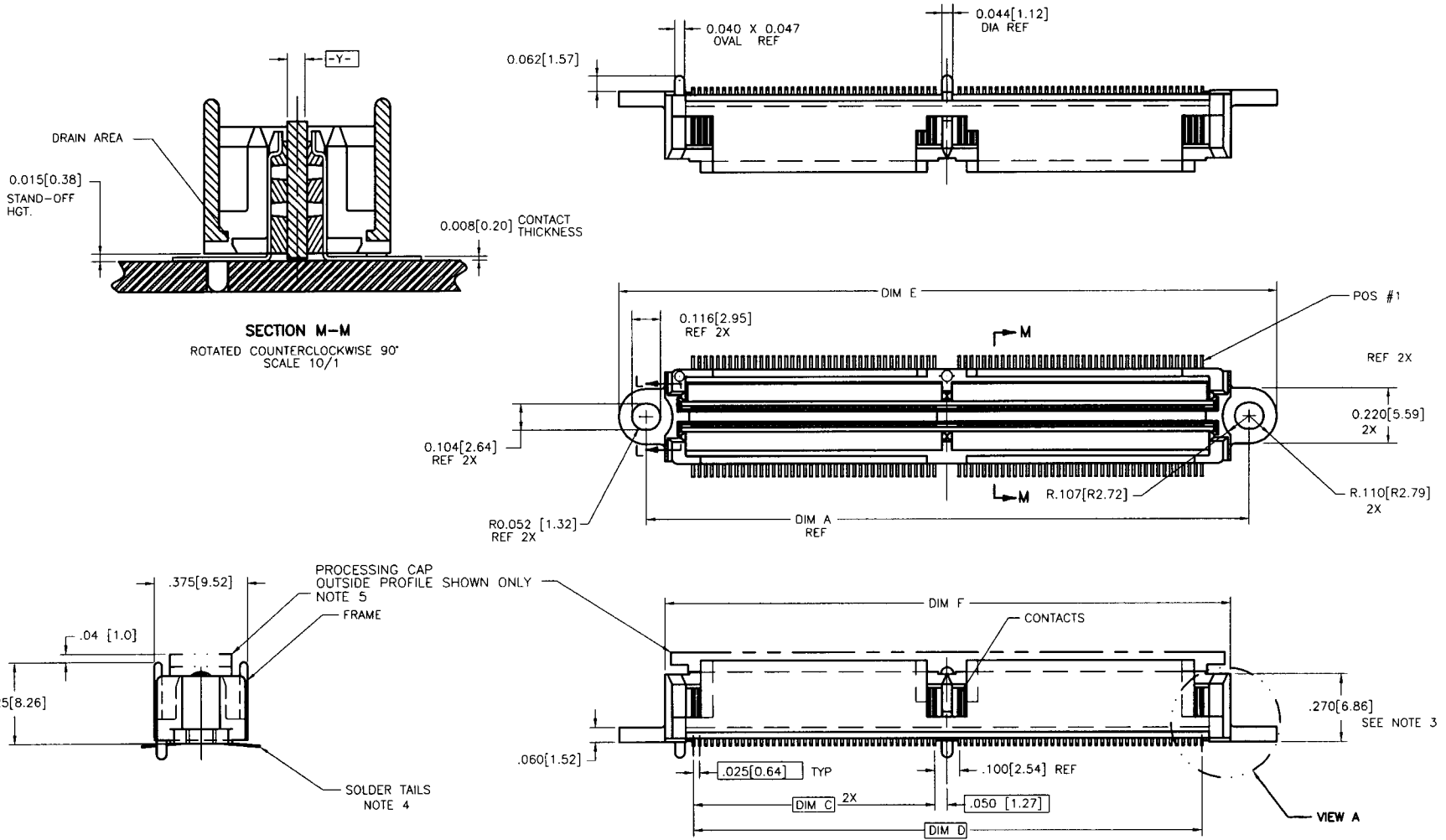


Tous droits strictement réservés. Reproduction ou communication a des tiers interdite sous quelque forme que ce soit sans autorisation écrite du propriétaire. Propriété de ©BERG ELECTRONICS. Droits de reproduction BERG ELECTRONICS INC.

All rights strictly reserved. Reproduction or issue to third parties in any form whatever is not permitted without written authority from the proprietor. Property of ©BERG ELECTRONICS Copyright BERG ELECTRONICS INC.



PRODUCT NO.
SEE TABLE



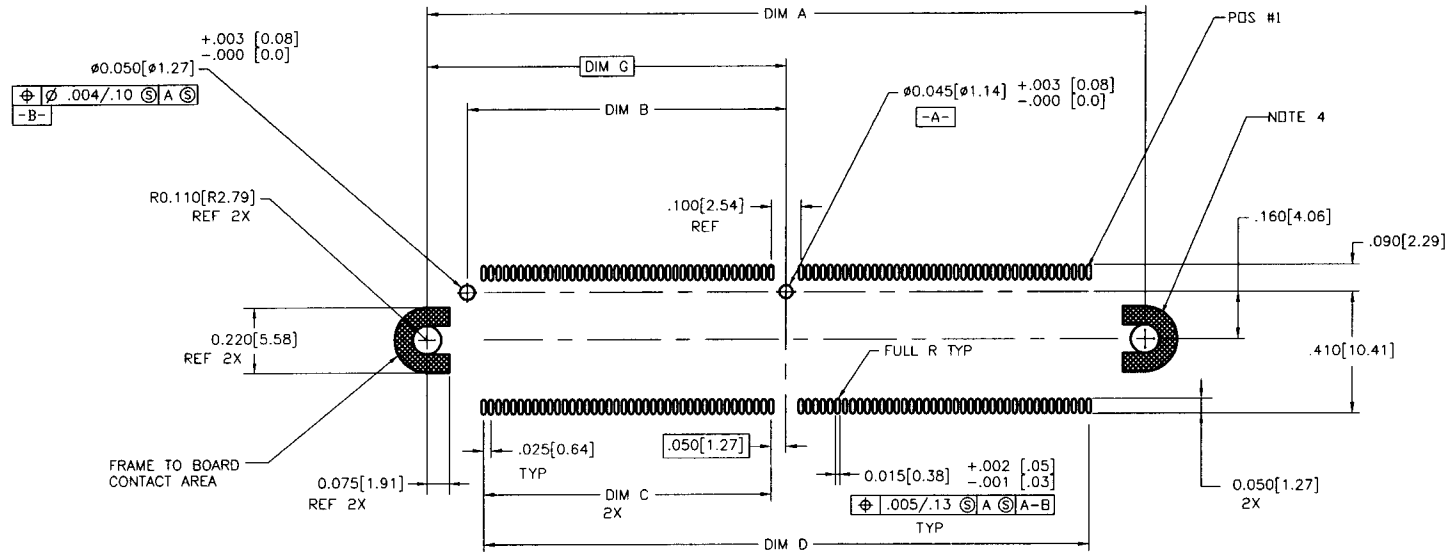
mat'l. code				tolerances unless otherwise specified		CUSTOMER COPY		BERG ELECTRONICS										
ltr	ecn no	dr	date	linear	.XX ±.01	projection	title	MICROPAX .025M SMT PLUG DOUBLE MODULE										
C	V30245	TH	03/11/93		.XXX ±.005			INCH/MM	product family	MICROPAX	code							
D	V30969	MRC	06/11/93		.XXXX ±.0020					size	dwg no	sheet						
E	V31960	MRC	01/10/94	angles	0° ±2'	scale	A	91294	1 of 3									
F	V40280	MRC	02/07/94	dr	T.HOUTZ 3/4/93					1:1	A	91294	1 of 3					
G	V50646	MRC	06/23/95	enr	M.HAHN 3/4/93									cage code	22526	4		
H	V51287	MRC	10/20/95	chr	M.HAHN 3/4/93												sheet	1 of 3
J	E70095	SAR	07/22/97	appd	M.HAHN 3/4/93													
sheet	revision	J	J	J														
index	sheet	1	2	3														

Tous droits strictement reserves. Reproduction ou communication a des tiers interdite sous quelque forme que ce soit sans autorisation ecrite du propriétaire. Propriete de ©BERG ELECTRONICS. Copyright BERG ELECTRONICS INC.

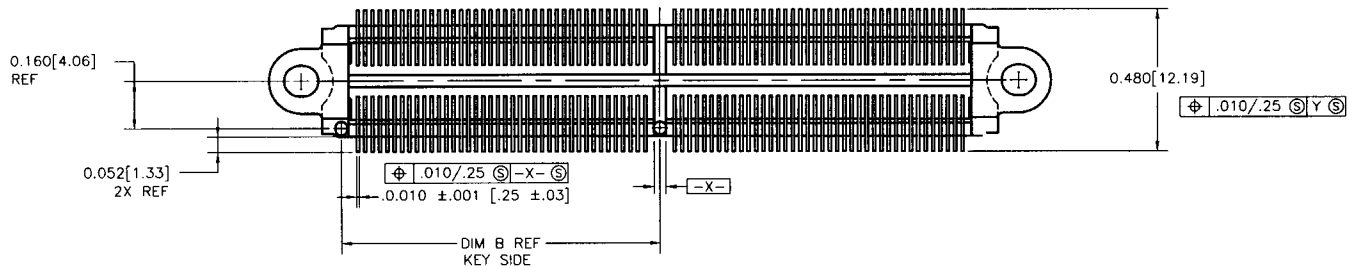


All rights strictly reserved. Reproduction or issue to third parties in any form whatever is not permitted without written authority from the proprietor. Property of ©BERG ELECTRONICS Copyright BERG ELECTRONICS INC.

PRODUCT NO.
SEE TABLE



PROPOSED TERMINATION REQUIREMENTS



BOTTOM VIEW

mat'l. code				tolerances unless otherwise specified		CUSTOMER COPY	BERG ELECTRONICS	
ltr	ecn no	dr	date	linear	.XX ±.01			projection
J				linear	.XXX ±.005		MICROPAX .025M SMT PLUG DOUBLE MODULE	
				angles	.XXXX ±.0020			INCH/MM
				dr	T.HOUTZ 3/4/93	scale 1:1	A	code
				enr	M.HAHN 3/4/93			size
				chr	M.HAHN 3/4/93			sheet
				appd	M.HAHN 3/4/93			2 of
sheet index	revision sheet							

All rights strictly reserved. Reproduction or issue to third parties in any form whatever is not permitted without written authority from the proprietor.
Property of ©BERG ELECTRONICS Copyright BERG ELECTRONICS INC.



Tous droits strictement reserves. Reproduction ou communication a des tiers interdite sous quelque forme que ce soit sans autorisation écrite du propriétaire.
Propriete de ©BERG ELECTRONICS. Droits de reproduction BERG ELECTRONICS INC.

PRODUCT NUMBER	NO. OF CONTACTS	DIM A	DIM B	DIM C	DIM D	DIM E	DIM F	DIM G	CONTACT PLATING NOTE 2	HOLD-DOWN	PROCESSING CAP
91294-001	120	1.930/50.95	.830/21.08	.725/18.42	1.550/39.37	2.150/54.61	1.790/45.47	.965/24.51	30 GXT	OPTIONAL SEE NOTE 6	CAPS INSTALLED ON CONNECTOR
-002	160	2.430/61.72	1.080/.27.43	.975/24.76	2.050/52.07	2.650/67.31	2.290/58.16	1.215/30.86	30 GXT		NOT SHIPPED ON CONNECTOR
-003	200	2.930/74.42	1.330/33.78	1.225/31.12	2.550/64.77	3.150/80.01	2.790/70.87	1.465/37.21	30 GXT		CAPS INSTALLED ON CONNECTOR
-033	200	2.930/74.42	1.330/33.78	1.225/31.12	2.550/64.77	3.150/80.01	2.790/70.87	1.465/37.21	30 GXT		CAPS INSTALLED ON CONNECTOR
-402	160	2.430/61.72	1.080/.27.43	.975/24.76	2.050/52.07	2.650/67.31	2.290/58.16	1.215/30.86	60 GXT		CAPS INSTALLED ON CONNECTOR
-403	200	2.930/74.42	1.330/33.78	1.225/31.12	2.550/64.77	3.150/80.01	2.790/70.87	1.465/37.21	60 GXT		CAPS INSTALLED ON CONNECTOR
-011	120	1.930/50.95	.830/21.08	.725/18.42	1.550/39.37	2.150/54.61	1.790/45.47	.965/24.51	30 GXT		CAPS SUPPLIED LOOSE PIECE
-012	160	2.430/61.72	1.080/.27.43	.975/24.76	2.050/52.07	2.650/67.31	2.290/58.16	1.215/30.86	30 GXT		CAPS SUPPLIED LOOSE PIECE
-013	200	2.930/74.42	1.330/33.78	1.225/31.12	2.550/64.77	3.150/80.01	2.790/70.87	1.465/37.21	30 GXT		CAPS SUPPLIED LOOSE PIECE
-412	160	2.430/61.72	1.080/.27.43	.975/24.76	2.050/52.07	2.650/67.31	2.290/58.16	1.215/30.86	60 GXT		CAPS SUPPLIED LOOSE PIECE
91294-413	200	2.930/74.42	1.330/33.78	1.225/31.12	2.550/64.77	3.150/80.01	2.790/70.87	1.465/37.21	60 GXT		

NOTES:

- MATERIALS:
DIELECTRIC: LCP
CONTACTS: PHOS BRONZE
FRAME: ZINC ALLOY #3
- PLATING:
SOLDER TAILS: 150 u"/3.81um Sn Pb
FRAME: 150u"/3.81um BRIGHT TIN
CONTACTS: 30u"/.76um GXT OVER 50u"/1.27um Ni
OR 60u"/1.52um GXT OVER 75u"/1.90um Ni.
- WHEN CONNECTOR IS MATED WITH OPPOSITE HALF, THE PARALLEL BD. TO BD. HGT. IS .47 ±.01. (APPLYS TO VERT. THRU & SURFACE MT. STYLES)
- THE SOLDER TAILS ON THIS PRODUCT ARE DESIGNED TO BE COMPLIANT IN ORDER TO ACCOMMODATE PRINTED CIRCUIT BOARD DIMENSIONAL VARIATIONS. THEREFORE, HOLDDOWN HARDWARE IS REQUIRED TO SECURE THE CONNECTOR TO THE PRINTED CIRCUIT BOARD FOR MOST TYPES OF SOLDER REFLOW OPERATIONS. FOR FURTHER APPLICATION DATA, INCLUDING HOLE SIZES FOR VARIOUS TYPES OF HARDWARE, SEE TA-932.
- DO NOT REMOVE PROCESSING CAP UNTIL SOLDERING IS COMPLETED.
- BY ADDING LETTER "H" TO TABULATED P/N, THE OPTIONAL HOLD-DOWNS WILL BE SUPPLIED INTEGRAL W/CONNECTOR. EXAMPLE: XXXX-XXXH (HOLD-DOWN)

mat'l. code				tolerances unless otherwise specified				CUSTOMER COPY		BERG ELECTRONICS					
ltr	ecn no	dr	date	linear	.XX ±.01			projection		title					
J					.XXX ±.005					MICROPAX .025M SMT					
					.XXXX ±.0020					PLUG DOUBLE MODULE					
				angles	0° ±2°			INCH/MM	product family	MICROPAX					
				dr	T.HOUTZ	3/4/93	scale			A	91294	code			
				enr	M.HAHN	3/4/93						1:1	size	dwg no	-
				chr	M.HAHN	3/4/93									sheet
				appd	M.HAHN	3/4/93									
sheet index	revision sheet														